

**LUDLUM MODEL 177-84
ALPHA/BETA RATEMETER**

April 2025

**Serial No. 128600 and Succeeding
Serial Numbers**

**LUDLUM MODEL 177-84
ALPHA/BETA RATEMETER**

April 2025

**Serial No. 128600 and Succeeding
Serial Numbers**



LUDLUM MEASUREMENTS, INC
501 OAK STREET, P.O. BOX 810
SWEETWATER, TEXAS 79556
325-235-5494, FAX: 325-235-4672

STATEMENT OF WARRANTY

Ludlum Measurements, Inc. warrants the products covered in this manual to be free of defects due to workmanship, material, and design for a period of twelve months from the date of delivery. The calibration of a product is warranted to be within its specified accuracy limits at the time of shipment. In the event of instrument failure, notify Ludlum Measurements to determine if repair, recalibration, or replacement is required.

This warranty excludes the replacement of photomultiplier tubes, G-M and proportional tubes, and scintillation crystals which are broken due to excessive physical abuse or used for purposes other than intended.

There are no warranties, express or implied, including without limitation any implied warranty of merchantability or fitness, which extend beyond the description of the face there of. If the product does not perform as warranted herein, purchaser's sole remedy shall be repair or replacement, at the option of Ludlum Measurements. In no event will Ludlum Measurements be liable for damages, lost revenue, lost wages, or any other incidental or consequential damages, arising from the purchase, use, or inability to use product.

RETURN OF GOODS TO MANUFACTURER

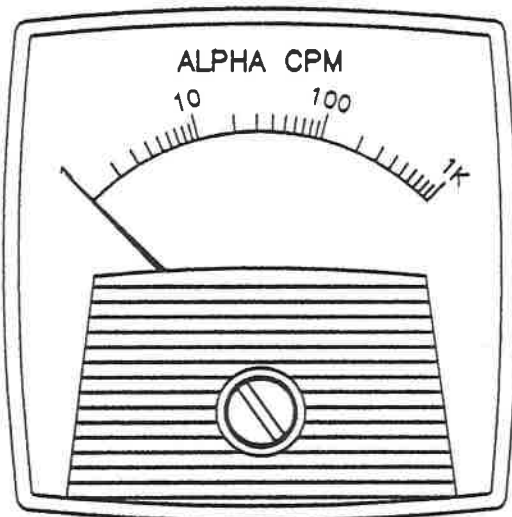
If equipment needs to be returned to Ludlum Measurements, Inc. for repair or calibration, please send to the address below. All shipments should include documentation containing return shipping address, customer name, telephone number, description of service requested, and all other necessary information. Your cooperation will expedite the return of your equipment.

**LUDLUM MEASUREMENTS, INC.
ATTN: REPAIR DEPARTMENT
501 OAK STREET
SWEETWATER, TX 79556**

**800-622-0828 325-235-5494
FAX 325-235-4672**



LUDLUM
MEASUREMENTS
SWEETWATER, TX



LUDLUM
MEASUREMENTS
SWEETWATER, TX

- STATUS
- UPDATING BKGND
 - CHECKING
 - CHECK OK
 - INCOMPLETE
 - OVERLOAD
 - LOW BATTERY

ALPHA
ALARM

ACK / RESET



BETA
ALARM

METER MODE

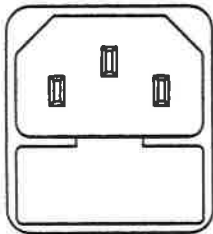
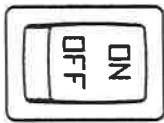
- RATEMETER
- READ ALARM
- READ HV

MODEL 177-84
ALPHA - BETA FRISKER

| | | | | | | | |
|---|-----------------------------------|-------|--------|-------------------------------|-------|-----|---------|
| CHG | NO. | | | | BY | CHK | APP |
| DATE | DATE | DATE | DATE | DATE | | | |
| GW | 12-9-95 | | | NEW | | | 5-29-07 |
| TOL: | SHIP STD <input type="checkbox"/> | OTHER | SCALE: | FULL <input type="checkbox"/> | OTHER | | |
| TITLE M 177-84 FRONT VIEW | | | | | | | |
| LUDLUM MEASUREMENTS INC. 501 ONE STREET SWEETWATER, TEXAS 75086 | | | | SERIES | SHEET | | |
| | | | | 347 | 253 | | |

XXXXXX

POWER



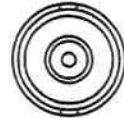
INPUT: 115 VAC
50/60 Hz 50 W

LINE FUSE
LITTELFUSE F 1A

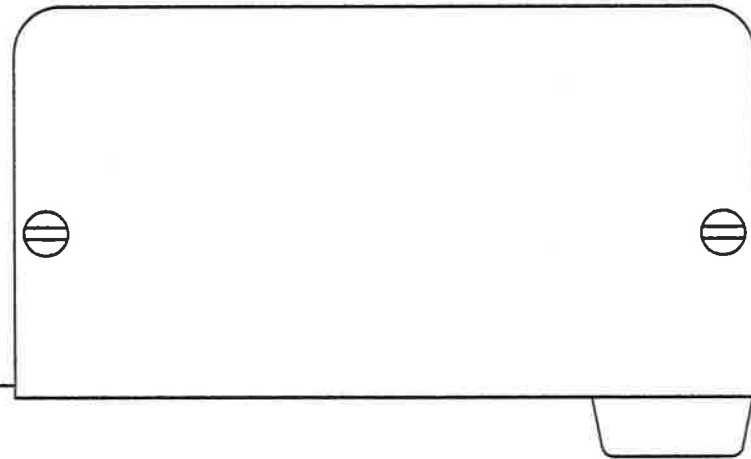


COUNT SWITCH

DETECTOR



BATTERY ACCESS DOOR
BATTERY SHOULD BE
REPLACED AT LEAST
EVERY 4 YEARS



| | | | | | | | | |
|---|-----------------------------------|--------------------------------|--------|-------------------------------|--------------------------------|--------------|-----|-----|
| CHG | NO. | | | | | DWN | CHK | APP |
| DWN | DATE | CHK | DATE | APP | DATE | | | |
| GW | 12-9-95 | | | J6w | 5-29-07 | | | |
| TOL: | SHIP STD <input type="checkbox"/> | OTHER <input type="checkbox"/> | SCALE: | FULL <input type="checkbox"/> | OTHER <input type="checkbox"/> | | | |
| TITLE M 177-84 REAR VIEW | | | | | | | | |
| LUDLUM MEASUREMENTS, INC. 501 DMK STREET EVERETT, TEXAS 75536 | | | SERIES | 347 | | SHEET 254 | | |

Table of Contents

| | |
|--|----|
| 1. INTRODUCTION | 1 |
| 2. SPECIFICATIONS | 3 |
| 3. DESCRIPTION OF CONTROLS AND FUNCTIONS | 5 |
| FRONT PANEL..... | 5 |
| REAR PANEL | 6 |
| INTERNAL CONTROLS | 6 |
| 4. SAFETY CONSIDERATIONS AND MAINTENANCE..... | 9 |
| ENVIRONMENTAL CONDITIONS FOR NORMAL USE | 9 |
| CLEANING INSTRUCTIONS AND PRECAUTIONS | 9 |
| REPLACEMENT OF FUSES | 10 |
| MAINTENANCE | 10 |
| INSTRUMENT RETURN FOR REPAIR/CALIBRATION | 10 |
| BATTERY REPLACEMENT | 11 |
| ELECTRICAL SAFETY PRECAUTIONS | 11 |
| 5. OPERATING PROCEDURES | 12 |
| THEORY OF OPERATION | 13 |
| DETECTOR INPUT/AMPLIFIER | 13 |
| ALPHA/ BETA DISCRIMINATOR..... | 13 |
| ALPHA/BETA DISCRIMINATOR LOGIC CIRCUIT | 14 |
| LOW VOLTAGE SUPPLY | 14 |
| HIGH VOLTAGE SUPPLY | 14 |
| DETECTOR OVERLOAD..... | 14 |
| METER DRIVE..... | 15 |
| MICROPROCESSOR..... | 15 |
| AUDIO | 15 |
| 6. RECYCLING..... | 16 |
| 7. PARTS LIST..... | 17 |
| MAIN BOARD (DRAWING 347 X 600)..... | 17 |
| FRONT PANEL BOARD (DRAWING 347 X 244) | 20 |
| CHASSIS WIRING DIAGRAM (DRAWING 347 X 243)..... | 21 |
| 8. APPENDIX..... | 23 |
| APPENDIX 1 – CHECKOUT PROCEDURE..... | 23 |
| APPENDIX 2 – MODEL 177-84 MODE SWITCH ADDITION | 25 |
| APPENDIX 3 – MODEL 4902 SPECIFICATIONS | 26 |
| 9. DRAWINGS AND DIAGRAMS | 27 |

Section

1

Introduction

The Model 177-84 is a microprocessor-based radiation survey instrument used to measure and discriminate low-level alpha/beta radiation when used with an alpha/beta scintillation or proportional detector. The instrument has beta automatic background subtract and beta automatic background update. It also has an adjustable count timer, which can be set from 0 to 120 seconds. An external switch must be connected to the instrument to initiate a count.



The radiation level is displayed on two analog meters. The Alpha meter dial indicates 0-1000 cpm on a three-decade log scale. The Beta meter dial indicates 0-100,000 cpm on a three-decade log scale. Each channel has its own distinguishable click-per-event audible tone. Beta events are a low pitch and alpha events are a high pitch. Beta clicks-per-event can be set at 1 per 1, 10, 100, or 1000.

Each channel has its own alarm point, which is adjustable from 0 to full scale. Alarms are indicated by an audible tone and LEDs (Light Emitting Diodes) located underneath the meters.

A regulated high-voltage power supply adjustable from 200 to 2000 volts with detector overload detection is utilized to operate a wide range of scintillation detectors. Other operating features of the instrument include

Model 177-84 Alpha/Beta Ratemeter

adjustable volume, low-battery LED, high-voltage readout, alarm audio acknowledge, and meter reset.

All calibration controls are located internally to prevent tampering. The only user accessible controls include the Acknowledge/Reset push-button switch, a rotary switch to switch the meters between ratemeter readout, alarm setpoint readout, high voltage readout, and the ON/OFF switch located on the rear of the instrument.

Count times are adjustable from zero to 120 seconds in 8-second increments. Setting count time to zero puts the instrument into a continuous counting mode and it will continue to count as long as the count switch is closed.

The unit operates on line power or an internal rechargeable battery. It is useable in temperatures ranging from -15 to approximately 50 °C (5 to 122 °F).

Section

2

Specifications

HIGH VOLTAGE: variable from 200 to 2500 volts

ALPHA THRESHOLD: adjustable from -4 to -180 mV

ALPHA METER SCALE: 0-1000 cpm

BETA THRESHOLD: adjustable from -1 through -4 mV

BETA WINDOW: adjustable from 4 to 70 mV

BETA METER SCALE: 0-100,000 CPM; 0-2.0 kV

CROSSTALK: no more than 1% of gross alpha counts in beta channel and no more than 10% of gross counts in alpha channel

LINEARITY: within 10% of true value, typically plus or minus 2% of true value when measured with an electronic pulser

RESPONSE TIME: The microprocessor calculates the response time based on the number of incoming counts. The Beta time constant varies between 1 and 5 seconds, and the Alpha varies between 5 and 15 seconds.

METERS: 1 mA, 2.5 in DC movement.

COUNT TIME: adjustable from 0 to 120 seconds, in 8-second increments

COUNT SWITCH CONNECTOR: phone jack TINI-JAX #41

CONNECTOR: Series "C" (other connectors available)

AUDIO: Dual tone click-per-event through a built-in unimorph with an internal volume control and internally switchable divide by of 1, 10, 100, and 1000 counts per click (beta only).

ALARM RANGE: adjustable from 0 through full scale

FINISH: powder coat paint

Model 177-84 Alpha/Beta Ratemeter

FUSE: 1 amp, 5 x 20 mm 250 V fuse

POWER: 117 VAC 60 Hz line power and internal rechargeable 6 V (sealed lead-acid) battery; battery life approximately 50 hours

BATTERY DEPENDANCE: instrument calibration change less than 3% until Low Battery LED comes on

SIZE: 19.1 x 22.9 x 15.3 cm (7.5 x 9 x 6 in.) (H x W x L), excluding handle

WEIGHT: 2.3 kg (4.9 lb)

Section

3

Description of Controls and Functions

Front Panel

METERS: The left meter is a three-decade log scale that shows the number of alpha counts. The right meter is a three-decade log scale that shows the number of beta counts.

STATUS LEDs: six small LEDs that indicate the status of the instrument.

UPDATING BACKGROUND: When this LED is lit, the instrument is updating the background values it will use when subtracting background from a count. Also, when this LED is lit, the instrument is ready for use. When the instrument is first turned on, it will take a mandatory 20-second background count. While it is taking this count, the UPDATING BACKGROUND LED will be flashing.

CHECKING: When this LED is lit, the instrument is taking a count. This LED will stay on until the count time has expired or until the switch is opened when count time is set to zero.

CHECK OK: This LED will come on after a count has been completed. It will not operate when the count time is set to zero.

INCOMPLETE: This LED will come on if the count switch is opened before the count time has expired. It will stay on for 4 seconds or until the switch is closed.

OVERLOAD: This LED will come on to indicate that the detector is saturated either by a puncture in the detector face on a scintillation detector, or an exposure to a radiation field above the counting capability of the instrument. The analog meters will deflect full scale when the OVERLOAD LED is illuminated.

LOW BATTERY: This LED will come on when the charge on the battery has dropped below the useable range. The voltage level is 5.5 volts measured at the battery terminals.

Model 177-84 Alpha/Beta Ratemeter

ALPHA ALARM: This LED will come on when the alpha radiation level has exceeded the alpha alarm point.

BETA ALARM: This LED will come on when the beta radiation level has exceeded the beta alarm point.

ACK/RESET: This pushbutton has two functions. If the instrument is in an alarm condition, the first push of the button will turn the audio off. The second push will reset the meters to zero. If there is no alarm, the first push will reset the meters to zero.

METER MODE: The METER MODE switch has three functions. In the RATEMETER position, the meters will show incoming counts. In the READ ALARM position, the meters will indicate the alarm setpoints. In the READ HV position, the dual scale beta meter will show the HV setpoint on the kV scale. The alpha meter will go to zero.

Rear Panel

POWER: This switch turns the instrument ON and OFF.

INPUT - LINE FUSE: This is the connector that the cord plugs into to provide power to the instrument. The line fuse is the main fuse for the instrument. To change the fuse, remove the power cord and pry the fuse section out with a screwdriver.

BATTERY ACCESS DOOR: The internal rechargeable battery can be accessed by removing this door. The battery should be replaced at least every 4 years. The red wire plugs onto the positive terminal of the battery.

COUNT SWITCH: This is a TINI-JAK #41 phone jack. Connect the mating connector to a normally open switch. The switch can then be used to start counts.

DETECTOR: This is a coax connector used to connect the instrument to the detector.

Internal Controls

Remove the instrument cover to access the following controls.

AT - Alpha Threshold: This control sets the threshold level for the Alpha channel. It is adjustable from -1 to -180 mV.

AAP - Alpha Alarm Point: This control sets the Alpha alarm point. Turn the METER MODE switch to READ ALARM in order to view and set the alarm point. The alarm point can be set from zero to full scale.

AMC - Alpha Meter Cal: This control calibrates the Alpha meter.

Model 177-84 Alpha/Beta Ratemeter

BT - Beta Threshold: This control sets the threshold level for the Beta channel. It is adjustable from -1 to -4 mV.

BAP - Beta Alarm Point: This control sets the Beta alarm point. Turn the METER MODE switch to READ ALARM to view and set the alarm point. The alarm point can be set from zero to full scale.

BMC - Beta Meter Cal: This control calibrates the Beta meter.

BW - Beta Window: This control sets the Beta window level. It is adjustable from 4 to 70 mV.

HVR - High Voltage Readout: This control calibrates the high-voltage (kV) scale on the Beta meter. Turn the Meter Mode switch to READ HV to view and calibrate the high voltage readout.

HVL - High Voltage Limit: This control sets the maximum allowable high-voltage setting. The maximum setting is approximately 2.2 kV. The maximum reading on the meter dial is 2.0 kV.

HVS - High Voltage Setpoint: This control sets the high voltage. Turn the METER MODE switch to READ HV to view and set the high-voltage setpoint.

OL - Overload: This control sets the high-voltage current level at which the overload circuit will be triggered.

BAT - Battery: This control sets the charge voltage for the battery. This point is typically 6.9 volts measured at the battery terminals.

VOL - Volume: This control sets the audio volume. Clicks as well as alarm tones are adjusted by this control.

Four-position DIP Switch: Positions 1 and 2 control the audio divide for Beta clicks. Settings and values are listed below:

| | Pos 1 | Pos 2 |
|------|-------|-------|
| 1 | On | On |
| 10 | Off | On |
| 100 | On | Off |
| 1000 | Off | Off |

Example: For a setting of 1000, the instrument will give one click for every 1000 counts it registers.

Note: The AUDIO divide function only affects the lower frequency beta tones. The higher frequency clicks-per-events will be unaffected by the

Model 177-84 Alpha/Beta Ratemeter

divide-by selection.

Position 3: This position puts the instrument into meter calibration mode. When the third switch is turned on, the meters will be driven to full scale. You can then use the meter cal controls (AMC and BMC) to adjust the meters to read full scale.

Position 4: This position selects whether the alarms are latching or non-latching. When this switch is on, the alarms are latching. When it is set to latching, the alarm will stay on for 4 seconds after the count time is expired. When in non-latching, the alarm will go off as soon as the radiation level goes back below the alarm point.

16 Position Rotary Switch: This control sets the duration of the counting period in multiples of 8 seconds. When set to zero, the instrument will continue to count as long as the count switch is closed. The duration of the counting period for different settings is listed below:

| Setting | Duration |
|---------|---------------------|
| 0 | until switch opened |
| 1 | 8 seconds |
| 2 | 16 seconds |
| 3 | 24 seconds |
| 4 | 32 seconds |
| . | |
| . | |
| . | |
| E | 112 seconds |
| F | 120 seconds |

Section

4

Safety Considerations and Maintenance

Environmental Conditions for Normal Use

Indoor use only

No maximum altitude

Temperature range of -20 to 50 °C (-4 to 122 °F)

Maximum relative humidity of less than 95% (non-condensing)

Mains supply voltage range 95-250 Vac

Maximum transient voltage of 1500 Vac

Installation Category (Overvoltage Category) II (as defined by IEC 1010-1)

Pollution Degree 2 (as defined by IEC 644) (Normally only nonconductive pollution occurs. Temporary conductivity caused by condensation is to be expected.)

Cleaning Instructions and Precautions

The Model 177-84 may be cleaned externally with a damp cloth, using only water as the wetting agent. Do not immerse the instrument in any liquid. In addition, the operator is strongly cautioned to avoid contact with internal hazardous live parts that are accessible using a tool. Observe the following precautions when cleaning

1. Turn the instrument OFF and disconnect the instrument power cord.
2. Allow the instrument to sit for one minute before cleaning.

Caution!

Verify instrument voltage input rating before connecting to a power converter. If the wrong power converter is used, the instrument and/or power converter could be damaged.

Caution!

The operator or responsible body is cautioned that the protection provided by the equipment may be impaired if the equipment is used in a manner not specified by Ludlum Measurements, Inc.

Replacement of Fuses

Warning!

For continued protection against risk of fire, replace only with fuses of the specified type and current rating!

Maintenance

Instrument maintenance consists of keeping the instrument clean, replacing the battery when necessary, and periodically checking the calibration.

An instrument operational check should be performed at least daily by exposing the detector to a known source and confirming the proper reading on the instrument.

Re-calibration should be accomplished after any maintenance or adjustment of any kind has been performed on the instrument.

Ludlum Measurements recommends recalibration at intervals no greater than one year. Check the appropriate regulatory agencies' regulations to determine required recalibration intervals.

Instrument Return for Repair/Calibration

To return an instrument for repair or calibration, provide sufficient packing material to prevent damage during shipment.

Every returned instrument must be accompanied by an **Instrument Return**

Model 177-84 Alpha/Beta Ratemeter

Form, which can be downloaded from the Ludlum website at www.ludlums.com. Find the form by clicking the “Support” tab and selecting “Service Department” from the drop-down menu. Then choose the appropriate Service Department division where you will find a link to the form.

Battery Replacement

The battery should be replaced at least every four years. To replace the battery, remove the two screws holding the battery access door on the rear of the instrument and remove the door. Slide the battery out and unplug the wires from the terminals. Attach wires to the new battery (red wire goes to the positive terminal) and slide back into place. Replace the door.

Electrical Safety Precautions

Warning!

Ignoring the following warnings could result in a potentially hazardous situation, which if mishandled, could result in death or serious personal injury.

- Do not expose the unit to rain or an environment where it may be splashed by water or other liquids, as doing so may result in fire or electric shock.
- Use the unit only with the voltage specified of the unit. Using a voltage higher than that which is specified, may result in fire or electric shock.
- Do not cut, kink, or otherwise damage or modify the power supply cord. In addition, avoid using the power cord in proximity to a heater, and never place heavy objects – including the unit itself – on the power cord, as doing so may result in fire or electric shock.
- Avoid installing or mounting the unit or its power supply in unstable locations, such as on a rickety table or a slanted surface. Doing so may result in the unit falling down and causing personal injury or property damage.

Section

5

Operating Procedures

- Remove the cover of the Model 177-84 and set the alarm points, audio volume, beta audio divide, and the count time as desired. Replace the cover.
- Connect a detector to the Model 177-84.

The detector operating parameters are established by adjusting the detector operating voltage (HV), alpha threshold, and beta window to find an optimum efficiency for the alpha/beta scintillator or proportional detector.

The threshold and window parameters can be adjusted to optimize alpha/beta count discrimination, count efficiency, and minimize "cross talk" between channels. Refer to the specific detector Operation Manual or calibration certificate for the suggested threshold and window settings. Once the thresholds and window settings are established, an operating voltage-versus-count-rate plot should be performed for both alpha and beta count channels with alpha and beta particle emission sources.

The following procedure is an example of determining an operating voltage, threshold, and window settings for an alpha/beta scintillation or proportional detector:

- Connect a Ludlum Model 500 Pulser or equivalent to the Model 177-84.
- While the Model 177-84 is in the Updating Background mode, adjust the beta threshold (BT) for 2.0 mV and the window (BW) for 50 mV. The pulser counts should be detected on the beta meter above 2.0 ± 1 mV and should shut off above 50mV.
- Adjust the pulser for a 75 mV pulse output and vary the AT control until counts are detected on the alpha meter.
- Switch the Meter Mode switch to Read HV and adjust the HVS potentiometer for 0.4 to 0.5 kV on the 0-2.0 kV scale. Connect the detector to the instrument. Switch Meter Mode back to Ratemeter. Place an alpha source on the detector face.

Model 177-84 Alpha/Beta Ratemeter

- Slowly increase the HVS potentiometer to observe the beta meter for an increase, then decrease, and increase again in count as the HV is increased. Decrease the HV until the ratemeter is in the "dip" of the observed count rate-versus-HV plot just performed. Switch to Read HV and note the HV setting.
- Plot an HV-versus-count rate plateau in 25 volt increments, 50 volts each side of the HV reading found in the above step (i.e., HV setting for count "dip" in the above step = 675 volts; start the plot at 625 volts and increase in 25 volts steps until 725 volts is reached). Plot alpha source, beta source, and background counts for both the alpha and beta channels.
- Find the optimum operating voltage from the plot, which gives the greatest alpha and beta source efficiency while maintaining no greater than the maximum acceptable level of "cross talk" between channels.
- Proceed to use instrument.

Theory of Operation

Refer to schematic series 347, sheet 600 for the following:

Detector Input/Amplifier

Negative going detector pulses are coupled from the detector through C032 to Amplifier U031. R032 and CR031 protect the input of U031 from inadvertent shorts. Self-biased amplifier U031 provides gain in proportion to R031 divided by R032. Transistor pins 4, 5, and 6 of U031 provide amplification. Pins 12 and 15 of U031 are coupled as a constant current source to pin 6 of U031. The output self-biases to $2V_{be}$ (approximately 1.4 volts) at pin 7 of U031. This provides just enough bias current through pin 6 of U031 to conduct all of the current for the constant current source. Positive pulses from pin 7 of U031 are coupled to the discriminators through R021 and C021.

Alpha/Beta Discriminator

Positive pulses from amplifier U031 are coupled to comparator U022, pin 6, for alpha discrimination and pins 6 and 2 of U021 for beta discrimination. R001, Alpha Threshold, provides the reference voltage for alpha comparator U022. R103, Beta Threshold (defined as the lower threshold limit of the beta counting window) provides the reference voltage for beta threshold comparator pins 1, 2, and 3 of U021. R202, Beta Window (defined as the upper threshold limit of the beta counting window) provides the reference voltage for the beta window comparator pins 5, 6, and 7 of U021.

Alpha/Beta Discriminator Logic Circuit

Alpha pulses from U022 are coupled to univibrator U121. Pulses at pin 6 of U121 are inverted by Q121 for connection to reset (R) pins 3, 13 of U111. Pin 9 of U121 provides the pulses to be counted by the microprocessor (μ P). Pulses from pin 9 of U121 are connected to pin 3 of U121 to provide a time delay for the μ P clock cycle to complete before the next alpha pulse can be recognized by the μ P.

Beta pulses from pin 1 of U021 are coupled to univibrator U111. Pulses are coupled to the μ P from pin 7 of U111 as long as pins 3 and 13 of U111 remain high (+5V). When an alpha and/or a beta window pulse is present, the reset (pins 3 and 13 of U111) function is enabled and 7 of U111 remains high. Pin 7 of U111 is connected to pin 13 of U111 to provide a time delay for the μ P clock cycle to complete before the next beta pulse can be recognized by the μ P.

Low Voltage Supply

Supply Voltage is supplied by the linear regulator VR421 and associated components to provide +5V to power op-amps and logic circuitry. U011 and related components provide +2.5 V reference HVS and Alpha/Beta discriminator controls. U521 regulates the trickle charge to the battery.

High Voltage Supply

High voltage is developed by blocking oscillator Q431, T331, C422, and rectified by voltage multiplier CR231-CR235, C231-C233, C221, and C133. High voltage increases as current through Q431 increases, with maximum output voltage with Q431 saturated.

High voltage is coupled back through R321 to op-amp pin 2 of U321. Resistor network R302-303 completes the HV division circuit to ground. R302 provides HV limit at 2.0 kV when the HVS control is at maximum. The regulated HV output is controlled by HVS potentiometer R304. This control provides the reference for comparator pin 3, U321. During stable operation, the voltage at pin 2 of U321 will equal the voltage at pin 3 of U321. Pin 1 of U321 will cause conduction of Q321 to increase or decrease until the HV finds a level of stability. R204, HVR, calibrates the analog meter to the HV output when the METER MODE switch is in the READ HV position.

Detector Overload

A voltage drop is developed across R131 and sensed by comparator U022 as detector current increases. When the voltage at pin 3 of U022 goes below

Model 177-84 Alpha/Beta Ratemeter

pin 2, pin 1 goes low, illuminating the OVERLOAD LED and driving the meter to full scale. R305, OL, provide adjustment for the overload set point.

Meter Drive

Pulses are coupled to the gate of Q201 and Q301. R403 and C401 provides integration. Integrated meter drive voltage is coupled via the METER MODE switch to U212. The meter is driven by the emitter of Q211 and Q311, coupled as a voltage follower in conjunction with U212. R101 (AMC) and R201 (BMC) are adjusted to calibrate the ratemeter reading, corresponding to the incoming count rate. R312, R313, R215, and R216 provide temperature compensation for changes in the meter resistance due to temperature variations.

Microprocessor

U411, Intel N87C51FA, controls all of the data, control inputs, and display information. The clock frequency is crystal controlled by Y311 and related components at 6.144 MHz. The μ P incorporates internal memory (ROM), storing the program information. C423 resets the μ P at power-up to initiate the start of the program routine. During the program loop the μ P looks at all of the input switches for initiation or status changes and responds accordingly.

The μ P uses pulse-width modulation to control the analog ratemeter. The analog outputs, ALPHA RATE and BETA RATE, are divided into 255 increments in a 166 μ s period. At full meter deflection the low pulse period, leading edge to leading edge, will be 166 μ s, 500 cpm = 130 μ s, 400 cpm = 104 μ s, 200 cpm = 52 μ s, 100 cpm = 26 μ s, and 0 = no pulse or +5 V.

Audio

Alpha and/or beta audio pulse frequency is generated by the μ P and coupled to Q501. Q501 then inverts the pulses and drives the negative side of the speaker. Bias voltage is provided by the volume control, R402.

Section

6

Recycling

Ludlum Measurements, Inc. supports the recycling of the electronics products it produces for the purpose of protecting the environment and to comply with all regional, national, and international agencies that promote economically and environmentally sustainable recycling systems. To this end, Ludlum Measurements, Inc. strives to supply the consumer of its goods with information regarding reuse and recycling of the many different types of materials used in its products. With many different agencies – public and private – involved in this pursuit, it becomes evident that a myriad of methods can be used in the process of recycling. Therefore, Ludlum Measurements, Inc. does not suggest one particular method over another, but simply desires to inform its consumers of the range of recyclable materials present in its products, so that the user will have flexibility in following all local and federal laws.

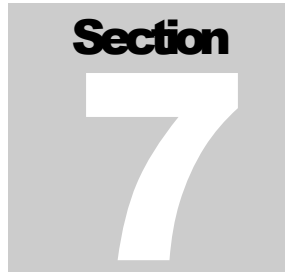
The following types of recyclable materials are present in Ludlum Measurements, Inc. electronics products, and should be recycled separately. The list is not all-inclusive. Nor does it suggest that all materials are present in each piece of equipment:

- Batteries
- Glass
- Aluminum and Stainless Steel
- Circuit Boards
- Plastics
- Liquid Crystal Display (LCD)

Ludlum Measurements, Inc. products, which have been placed on the market after August 13, 2005, have been labeled with a symbol recognized internationally as the “crossed-out wheelie bin.” This notifies the consumer that the product is not to be mixed with unsorted municipal waste when discarding; each material must be separated. The symbol will be placed near the AC receptacle, except for portable equipment where it will be placed on the battery lid.



Model 177-84 Alpha/Beta Ratemeter



Parts List

| | <u>Reference</u> | <u>Description</u> | <u>Part Number</u> |
|--|------------------|---|--------------------|
| Model 177-84 Alpha/Beta Ratemeter | UNIT | Completely Assembled Model 177-84 Alpha/Beta Ratemeter | 48-2727 |
| Main Board, Drawing 347 x 600 | BOARD | Assembled Board | 5347-314 |
| CAPACITORS | C011 | 100pF, 100V | 04-5661 |
| | C012 | 47pF, 100V | 04-5660 |
| | C021 | 0.1UF, 50V | 04-5663 |
| | C022 | 0.001UF, 100v | 04-5659 |
| | C025-C026 | 0.001UF, 100V | 04-5659 |
| | C027 | 10 UF, 20V | 04-5655 |
| | C031 | 10 pF, 100V | 04-5673 |
| | C032 | 100PF, 3KV | 04-5532 |
| | C1 | 1UF, 16V | 04-5701 |
| | C111-C112 | 47PF, 100V | 04-5660 |
| | C121-C123 | 47PF, 100V | 04-5660 |
| | C131-C133 | 0.0047MF, 3KV | 04-5547 |
| | C211 | 0.01UF, 50V | 04-5664 |
| | C212 | 0.1UF, 50V | 04-5663 |
| | C213 | 0.01UF, 50V | 04-5664 |
| | C221 | 0.0047MF, 3KV | 04-5547 |
| | C222 | 0.01UF, 50V | 04-5664 |
| | C231-C233 | 0.0047MF, 3KV | 04-5547 |
| | C311 | 0.1UF, 50V | 04-5663 |
| | C312 | 0.01UF, 50V | 04-5664 |
| | C313-C314 | 27 PF, 100V | 04-5658 |
| | C321 | 0.01UF, 50V | 04-5664 |
| | C322 | 1 UF, 35V | 04-5656 |
| | C421 | 0.1UF, 50V | 04-5663 |
| | C422 | 1 UF, 35V | 04-5656 |
| | C423 | 10 UF, 20V | 04-5655 |
| | C424 | 68 UF, 6.3V | 04-5654 |
| | C431 | 68 UF, 6.3V | 04 5654 |

Model 177-84 Alpha/Beta Ratemeter

| | <u>Reference</u> | <u>Description</u> | <u>Part Number</u> |
|-------------|------------------|--------------------|--------------------|
| | C432 | 2700MF, 35V | 04-5621 |
| | C511 | 47MF, 10V | 04-5666 |
| DIODES | CR031 | MMBD7000LT1 | 07-6355 |
| | CR121-CR122 | MMBD914L | 07-6353 |
| | CR231-CR235 | GI250-2 | 07-6266 |
| | CR421 | MMBD914L | 07-6353 |
| | CR521 | CXSH-4 | 07-6358 |
| | CR531-CR532 | CXSH-4 | 07-6358 |
| TRANSISTORS | Q121 | 2N7002L | 05-5840 |
| | Q201 | 2N7002L | 05-5840 |
| | Q211 | MMBT3904T | 05-5841 |
| | Q301 | 2N7002L | 05-5840 |
| | Q311 | MMBT3904T | 05-5841 |
| | Q321 | MMBT3904T | 05-5841 |
| | Q431 | MJD210 | 05-5843 |
| | Q501 | 2N7002L | 05-5840 |
| | Q521 | MJD200 | 05-5844 |
| RESISTORS | R001 | 1 MEG TRIMMER | 09-6911 |
| | R002 | 100K TRIMMER | 09-6930 |
| | R011 | 22.1K 1/8W 1% | 12-7843 |
| | R012 | 10K 1/8W 1% | 12-7839 |
| | R021 | 100 OHM 1/8W 1% | 12-7840 |
| | R022 | 22.1K 1/8W 1% | 12-7843 |
| | R023 | 10K 1/8W 1% | 12-7839 |
| | R024 | 22.1K 1/8W 1% | 12-7843 |
| | R025 | 10K 1/8W 1% | 12-7839 |
| | R031 | 392K 1/8W 1% | 12-7841 |
| | R032 | 10K 1/8W 1% | 12-7839 |
| | R033 | 33.2K 1/8W 1% | 12-7842 |
| | R034 | 10K 1/8W 1% | 12-7839 |
| | R035 | 33.2K 1/8W 1% | 12-7842 |
| | R036 | 22.1K 1/8W 1% | 12-7843 |
| | R037 | 1 MEG 1/4W 5% | 10-7028 |
| | R101 | 5K TRIMMER | 09-6918 |
| | R102 | 1.5K 1/8W 1% | 12-7878 |
| | R103 | 10K TRIMMER | 09-6931 |
| | R104 | 100K TRIMMER | 09-6930 |
| | R111-R112 | 100K 1/8W 1% | 12-7834 |
| | R121 | 100 OHM 1/8W 1% | 12-7840 |
| | R122 | 100K 1/8W 1% | 12-7834 |

Model 177-84 Alpha/Beta Ratemeter

| <u>Reference</u> | <u>Description</u> | <u>Part Number</u> |
|------------------|--------------------|--------------------|
| R123 | 22.1K 1/8W 1% | 12-7843 |
| R124 | 100K 1/8W 1% | 12-7834 |
| R131 | 4.7 MEG 1/4W 5% | 10-7030 |
| R132 | 1 GIG-OHM FHV-1 2% | 12-7686 |
| R133 | 1 MEG 1/4W 5% CR25 | 10-7028 |
| R134 | 1 GIG-OHM FHV-1 2% | 12-7686 |
| R201 | 5K TRIMMER | 09-6918 |
| R202 | 1 MEG TRIMMER | 09-6911 |
| R203 | 249K 1/8W 1% | 12-7862 |
| R204 | 1 MEG TRIMMER | 09-6911 |
| R211 | 221K 1/8W 1% | 12-7845 |
| R212 | 10K 1/8W 1% | 12-7839 |
| R213 | 4.75K 1/8W 1% | 12-7858 |
| R214 | 1M 1/8W 1% | 12-7844 |
| R216 | 301 OHM 1/8W 1% | 12-7863 |
| R217 | 1K 1/8W 1% | 12-7832 |
| R218-R219 | 10K 1/8W 1% | 12-7839 |
| R301 | 1M 1/8W 1% | 12-7844 |
| R302 | 1 MEG TRIMMER | 09-6911 |
| R303 | 1M 1/8W 1% | 12-7844 |
| R304 | 200K TRIMMER | 09-6912 |
| R305 | 1 MEG TRIMMER | 09-6911 |
| R306 | 249K 1/8W 1% | 12-7862 |
| R311 | 10K 1/8W 1% | 12-7839 |
| R312 | 301 OHM 1/8W 1% | 12-7863 |
| R314 | 1K 1/8W 1% | 12-7832 |
| R315 | 1M 1/8W 1% | 12-7844 |
| R316 | 4.75K 1/8W 1% | 12-7858 |
| R317 | 10K 1/8W 1% | 12-7839 |
| R318 | 221K 1/8W 1% | 12-7845 |
| R321 | 1M 1/8W 1% | 12-7844 |
| R322 | 22.1K 1/8W 1% | 12-7843 |
| R401 | 1 MEG TRIMMER | 09-6911 |
| R402 | 5K TRIMMER | 09-6918 |
| R421 | 2.21K 1/8W 1% | 12-7835 |
| R422 | 200 OHM 1/8W 1% | 12-7846 |
| R501 | 10K 1/8W 1% | 12-7839 |
| R511 | 22.1K 1/8W 1% | 12-7843 |
| R512 | 24.3K 1/8W 1% | 12-7867 |
| R521 | 22.1K 1/8W 1% | 12-7843 |
| R522 | 1K 1/8W 1% | 12-7832 |
| R523 | 165K 1/8W 1% | 12-7877 |
| R524 | 2.2 OHM 1/8W 5% | 12-7932 |
| R2110 | 10K 1/8W 1% | 12-7839 |

Model 177-84 Alpha/Beta Ratemeter

| | | | |
|---|-----------|-------------------------|----------|
| NETWORK | RN401 | 220K | 12-7923 |
| TRANSFORMERS | T331 | XFMR-L8050 | 40-0902 |
| | T501 | XFMR-Model 177 AUDIO | 4275-083 |
| SWITCHES | SW401 | 90HBW04S | 08-6709 |
| | SW501 | NC3KR16B | 08-6757 |
| CONNECTORS | P1 | 640456-4 MTA100 WHITE | 13-8088 |
| | P2 | 1-640456-1 MTA100 WHITE | 13-8059 |
| | P3 | 640456-7 MTA100 WHITE | 13-8115 |
| | P4 | 640456-2 MTA100 WHITE | 13-8073 |
| INTEGRATED CIRCUITS | U011 | LM285M-2.5 | 06-6291 |
| | U021-U022 | TLC372ID | 06-6290 |
| | U031 | CA3096M | 06-6288 |
| | U111 | CD74HC4538M | 06-6297 |
| | U121 | CD74HC4538M | 06-6297 |
| | U211 | TLC372ID | 06-6290 |
| | U212 | IC- TLC27M7ID | 06-6292 |
| | U321 | IC- TLC27M7ID | 06-6292 |
| | U411 | AT89C51RC2 | 06-6893 |
| | U511 | IC- TLC372ID | 06-6290 |
| | U521 | IC- ICL7663SCBA | 06-6302 |
| VOLTAGE REGULATOR | VR421 | LT1129CQ-5 | 06-6372 |
| CRYSTALS | Y311 | 6.144 MHZ | 01-5262 |
| MISCELLANEOUS | RT215 | 03006 165.9 55 G100 | 07-6366 |
| | RT313 | 03006-165.9-55-G100 | 07-6366 |
| | MECH1 | 44P PLCC T/R REEL | 06-6613 |
| Front Panel Board, Drawing 347 x 244 | BOARD | Assembled Board | 5347-316 |
| CAPACITORS | C110 | 100 μ F, 35V | 04-5595 |

Model 177-84 Alpha/Beta Ratemeter

| | <u>Reference</u> | <u>Description</u> | <u>Part Number</u> |
|------------------------|------------------|--------------------|--------------------|
| LEDS | DS113 | LED-E112 | 07-6390 |
| | DS114 | LED-E112 | 07-6390 |
| | DS115 | LED-E112 | 07-6390 |
| | DS116 | LED-E116 | 07-6393 |
| | DS117 | LED-E116 | 07-6393 |
| | DS118 | LED-E116 | 07-6393 |
| | DS119 | LED-E176 RED | 07-6362 |
| | DS120 | LED-E176 RED | 07-6362 |
| RESISTORS | R123 | 150 OHM 1/4W 5% | 10-7005 |
| | R124 | 150 OHM 1/4W 5% | 10-7005 |
| SWITCHES | S122 | 92-851.342 ELEMENT | 08-6726 |
| NETWORK | U112 | 820 OHM, 16P | 12-7716 |
| INTEGRATED CIRCUITS | U125 | SN75512BN | 06-6369 |

**Chassis Wiring
Diagram,
Drawing 347 x 243**

| | | | |
|---------------|-------|-----------------------------------|----------|
| AUDIO | DS1 | TEC-3526-PU | 21-9251 |
| CONNECTORS | J1 | CONN-640428-4 MTA 100 | 13-8067 |
| | J2 | CONN-1-640442-1 MTA100 | 13-8137 |
| | J3 | CONN-64442-7 MTA100 | 13-8172 |
| | J4 | CONN-640442-2 MTA-100 | 13-8178 |
| | J5-J6 | CONN-640442-7 | 13-8172 |
| | J8 | SERIES "C" UG706/U | 13-7751 |
| | J9 | TINI-JAK #41 | 21-9287 |
| SWITCHES | S1 | Power | 08-6715 |
| | S2 | Meter Mode | 08-6514 |
| MISCELLANEOUS | M1 | METER ASSY Model 177 | 4173-166 |
| | * | MAIN BOARD MODEL 177-84 | 5347-314 |
| | * | FRONT PANEL BOARD Model 177-84 | 5347-316 |

Model 177-84 Alpha/Beta Ratemeter

| <u>Reference</u> | <u>Description</u> | <u>Part Number</u> |
|------------------|---------------------------------------|--------------------|
| * | FRONT CHASSIS HARNESS Model 177-84 | 8347-327 |
| * | REAR CHASSIS HARNESS MODEL 177-84 | 8347-323 |
| B1 | BATTERY NP1-6 YUASA | 21-9385 |
| F1 | FUSE 1 AMP 5X20mm | 21-9704 |
| T1 | TRANSFORMER | 22-9908 |

Section

8

Appendix

Appendix 1: Checkout Procedure

1. Check all connections. Install the microprocessor chip 87C51FC with program firmware #34700N00 (or greater), and turn instrument ON with battery disconnected and the red positive lead to the battery attached to a +6 Vdc power supply. Check for +5 V at pin 1 of the LT1129CQ-5 regulator and +2.5 Vdc at pin 8 of the LM285-2.5 V. The current measured from the power supply should be less than 40 mA (peaking at 60 mA with the LEDs on). The LOW BATTERY LED should turn ON whenever the battery voltage is at or below 5.5 Vdc. Turn instrument OFF.
2. Disconnect the power supply. Attach the 120 Vac power cord and turn the instrument ON. The DC input voltage at pin 5 of the LT129CQ-5 from the transformer should be approximately 9.5 Vdc within 1.5 Vdc. Rotate the pot labeled BAT until the voltage at the positive lead to the battery is 6.9 Vdc. Turn instrument OFF.
3. With the instrument in an upright position, zero both meters using the zero adjust screw at the lower front of each meter. Set the dipswitch #3 (CALIBRATE) to ON. Turn the METER MODE switch to the RATEMETER position. Move the OPERATE MODE switch to the OPERATE position.
4. Turn the instrument ON. The power-on test by the microprocessor should light all the front-panel LEDs and briefly drive both meters full scale. In CALIBRATE mode, both meters should then be driven full scale. Adjust the pot labeled AMC (Alpha Meter Cal) until the alpha meter is full scale. Adjust the pot labeled BMC (Beta Meter Cal) until the beta meter is full scale. Turn the instrument OFF, and move dipswitch #3 to the OFF position.
5. Connect the instrument to a Ludlum Model 500 pulser set at 60 mV pulse height and 100 cpm. Rotate the pots labeled AAP (Alpha Alarm Point), BAP (Beta Alarm Point), and OL (OverLoad) fully clockwise. Rotate the VOL (audio Volume) pot fully clockwise, then turn back two full turns. Turn the instrument ON. Adjust the HVS (High Voltage Set) pot and the HVL (High Voltage Limit) pot until the high voltage read by the Model 500 is about 2300 Vdc within 200 Vdc. Check that

Model 177-84 Alpha/Beta Ratemeter

there are no shorts present in the HV section or in the coax connection to the detector connector. Set the high voltage to 1750 Vdc. Turn the METER MODE switch to READ HV. Adjust the HVR (High Voltage Read) until the beta meter reads 1.75 kV. Turn the METER MODE switch back to RATEMETER Mode.

6. Adjust the AT (Alpha Threshold) pot until the instrument reads 100 cpm with the incoming 60 mV pulsed. Change the Model 500 to output 2.5 mV pulses at 10,000 cpm. Adjust the BT (Beta Threshold) until the beta meter shows 10K cpm. Set the Model 500 to 25 mV pulse height and adjust the BW (Beta Window) pot so that beta pulses are counted between 2/5 mV and 25 mV. The complete adjustment ranges are:
 - Alpha Threshold (AT) from approximately 3 mV to 180 mV
 - Beta Threshold (BT) from approximately 0.5 mV to 4 mV
 - Beta Window (BW) from approximately 4 mV to 70 mV
7. Turn the METER MODE switch to the READ ALARM position. Adjust the AAP pot fully counterclockwise and fully clockwise. Ascertain that the alpha meter extends from 0 to full scale. Set the alarm to two-thirds scale. Repeat this process for the BAP pot and the beta alarm. Turn the METER MODE switch back to the RATEMETER setting.
8. Rotate the pot OL counterclockwise until you reach a point where the Overload LED turns on and both meters go full scale. Rotate the OL pot back clockwise for one full turn.
9. Set the internal rotary count switch to 0. Set the dip switch to:
 - 1=OFF
 - 2=ON-----beta divide by 10
 - 3=OFF-----no cal mode
 - 4=ON-----batching alarm mode
10. Use a shorted plug or a count switch plugged into the back of the instrument at the jack labeled COUNT SWITCH to start/stop frisking. Verify that during counting the audio turns ON and the COUNTING light turns ON. The meters should also subtract out the background while counting. Input 10 kcpm beta pulses and toggle dip switches #1 and #2 to see that the beta divide-by can be set to 1, 10, 100, or 1000. Return the dip switches #1 and #2 to OFF, ON.
11. Cause an alarm by COUNTING and increasing the input pulse rate. Verify that the latching alarm mode retains the alarm after the meter decreases below the alarm point. Verify that the ACK/RESET quiets the alarm audio with the first press, the clears the alarm LED with the second press. Switch dipswitch #4 to OFF to put the instrument into non-latching alarm mode and verify that the alarm is non-latching.

Model 177-84 Alpha/Beta Ratemeter

12. Set the internal rotary count switch to 1. Start COUNTING. The CHECK OK should turn ON after 8 seconds and a double-beep should sound. Start COUNTING again, but let off of the count switch before the 8 seconds is up, and see if the INCOMPLETE LED turns ON with a low triple-beep. Set the internal count switch to 2 (16 seconds) and then F (120 seconds) and verify the count times with a stop watch. Reset the rotary count switch to 0.
13. Burn the instrument in overnight and recheck the +5 Vdc, +2.5 Vdc, and the 1750 Vdc.

Appendix 2: Model 177-84 Mode Switch Addition

The Mode Switch addition on the Model 177-84 allows the user to switch the instrument between the Frisk Mode and the Operate Mode.

In the Frisk Mode, the count switch is held closed until the instrument is switched back to the Operate Mode. This allows the user to use the detector continuously without having to hold the count switch closed at the same time.

In the Operate Mode, whatever count switch is attached to the instrument will be closed as long as the switch is held down. This addition was originally put on the Model 177-84 so that it would work better with the Model 4902 Hand & Foot Detector Stand. The user can put the Model 177-84 into Frisk Mode and then remove the hand detector from its cradle and use it as a frisker. Without this addition, the user would have been required to hold his foot on the foot detector of the Model 4902 the entire time that he was frisking with the hand detector. The foot detector of the Model 4902 actuates the count switch.

Electronically, the only change is that a toggle switch is wired in parallel with the Count Switch connector on the rear of the instrument. Mechanically, the toggle switch and a silk-screened plate is mounted on the rear of the instrument. Mechanically, the toggle switch and a silkscreened plate is mounted on the front of the instrument.

The part number for the Mode Switch Addition is 4347-366.

Appendix 3: Model 4902 Specifications

The Model 4902 is a stand that holds two gas proportional detectors, one upper detector and one lower detector. The upper detector sets in position to be used as a hand detector, or it can be removed and used as a frisker. The foot detector has a switch mounted underneath so that count timer is started when the detector is pushed down. There are no counting electronics included with the Model 4902. If a count timer is required, the instrument used with the Model 4902 must have that capability. An instrument typically used with the Model 4902 is a Ludlum Model 177-84. Other instruments can be used.

Specifications

| | |
|--------------------------|---|
| Upper Detector: | 200 cm ² active area 79% open screen, 0.076 cm (0.030 in.) thick Efficiencies (4 π): 20% for ⁹⁰ Sr; 28% for ⁹⁹ Tc; and 13% for ²³⁹ Pu Attached with 1.8 m (6 ft) cable |
| Lower Detector: | Approximately 520 cm ² active area 63% open screen, 0.26 cm (0.104 in.) thick Efficiencies (4 π) 9% for ⁹⁰ Sr; 14% for ⁹⁹ Tc; and 4% for ²³⁹ Pu |
| Background: | With both detectors connected, < 10 cpm alpha, approximately 1000 cpm beta |
| Gas Flow: | Bubbler indicator, typically 10 cc/min or less consumption Supply connector: Colder Products PMC 22-02 |
| Count Switch: | Normally open, TINI_JAK #41 phone plug as connector. Actuated by stepping on foot detector. |
| Instrument Power: | 115 Vac outlet with a 1 A fuse |

Section

9

Diagrams and Drawings

Main Board, Drawing 347 x 600 (3 sheets)

Main Board Component Layout, Drawing 347 x 243A (2 sheets)

Front Panel Board, Drawing 347 x 244

Front Panel Board Component Layout, Drawing 347 x 258A (2 sheets)

Wiring Diagram, Drawing 347 x 243

1

2

3

4

5

A

A

B

B

C

C

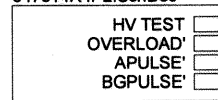
D

D

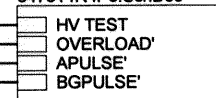
E

E

347314R4P2
347314R4P2.SchDoc



347314R4P3
347314R4P3.SchDoc



3

Mech1



44P PLCC T/R REEL

9-6-23

| | | | | | |
|--|------------|-------------------|------|-------------------------|-------|
| | | LUDLUM | | PO Box 810 | |
| MEASUREMENTS, INC. | | | | 501 Oak Street | |
| | | | | Sweetwater, Texas 79556 | |
| | | | | U.S.A. 1-800-622-0828 | |
| Drawn: PAB | 2-17-17 | Title: Main Board | | | |
| Design: RSS | 11-14-95 | Model: 177-84 | | | |
| | | Board#: 5347-314 | | | |
| Approve: J.M. | 9/6/2023 | Sheet: 1 | of 3 | Series | Sheet |
| Print Date: 9/6/2023 | 9:02:31 AM | Rev: 4 | | | |
| W:\Projects\LM\MM 177-84\5347-314\Rev4\347314R4P1.SchDoc | | | | | |
| | | | | 347 | 600 |

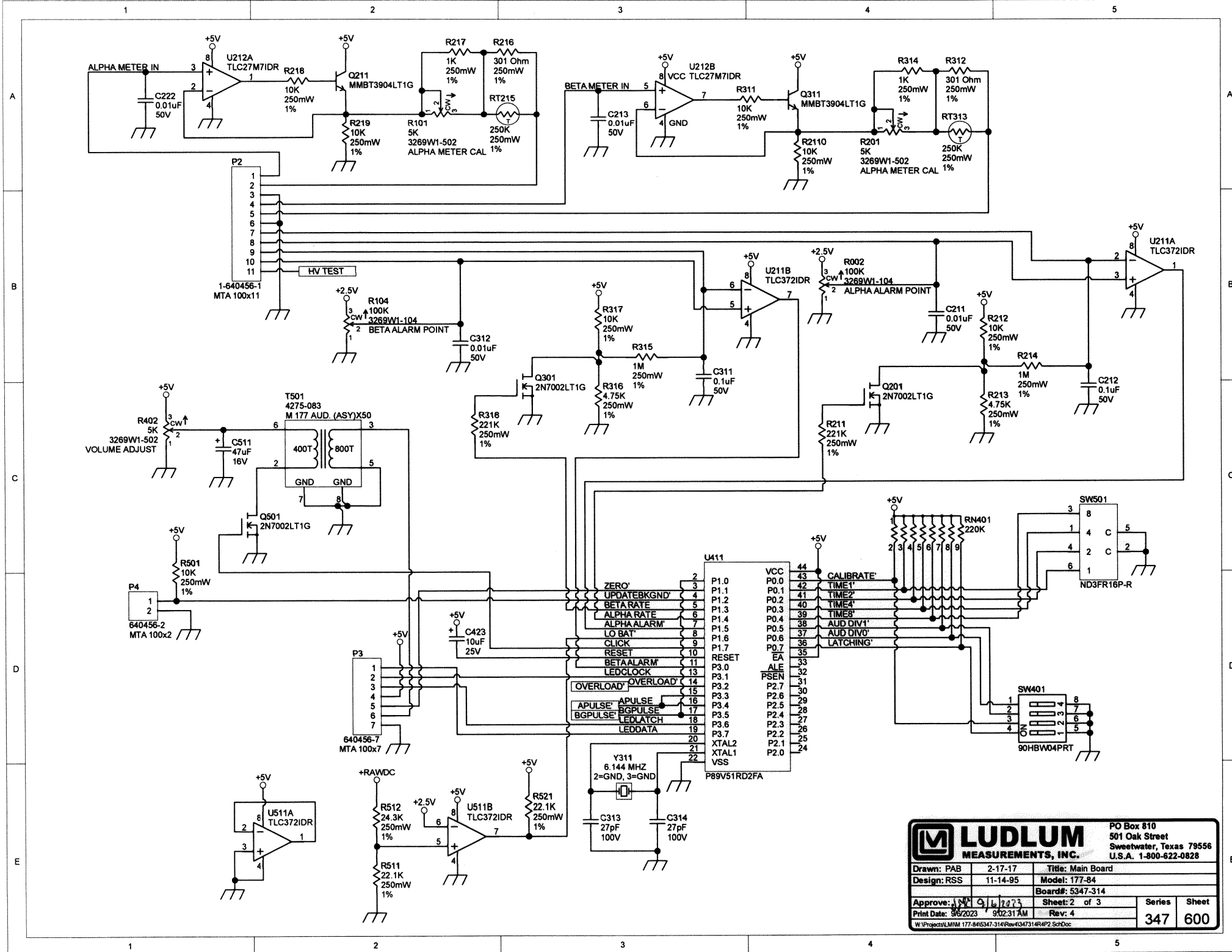
1

2

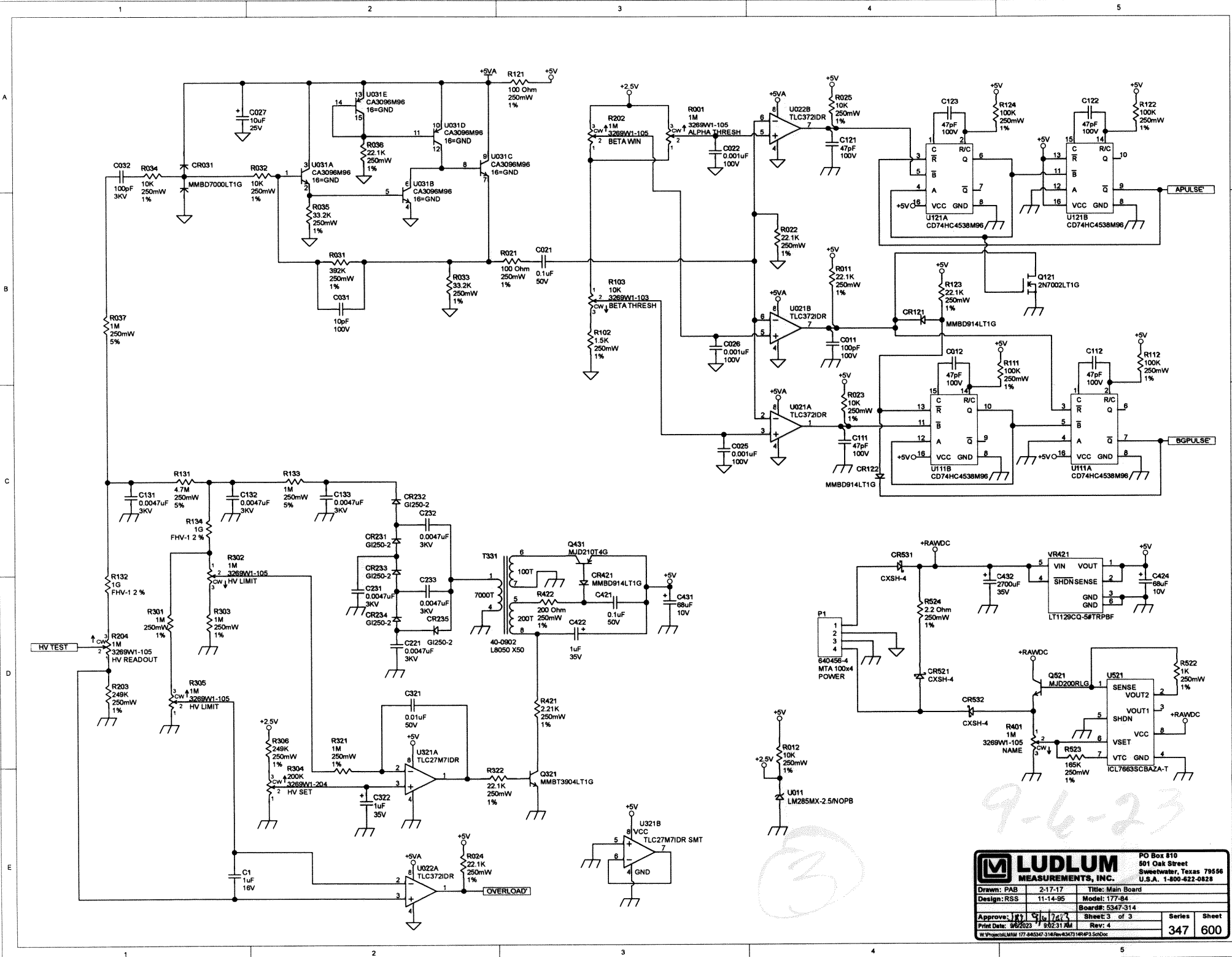
3

4

5



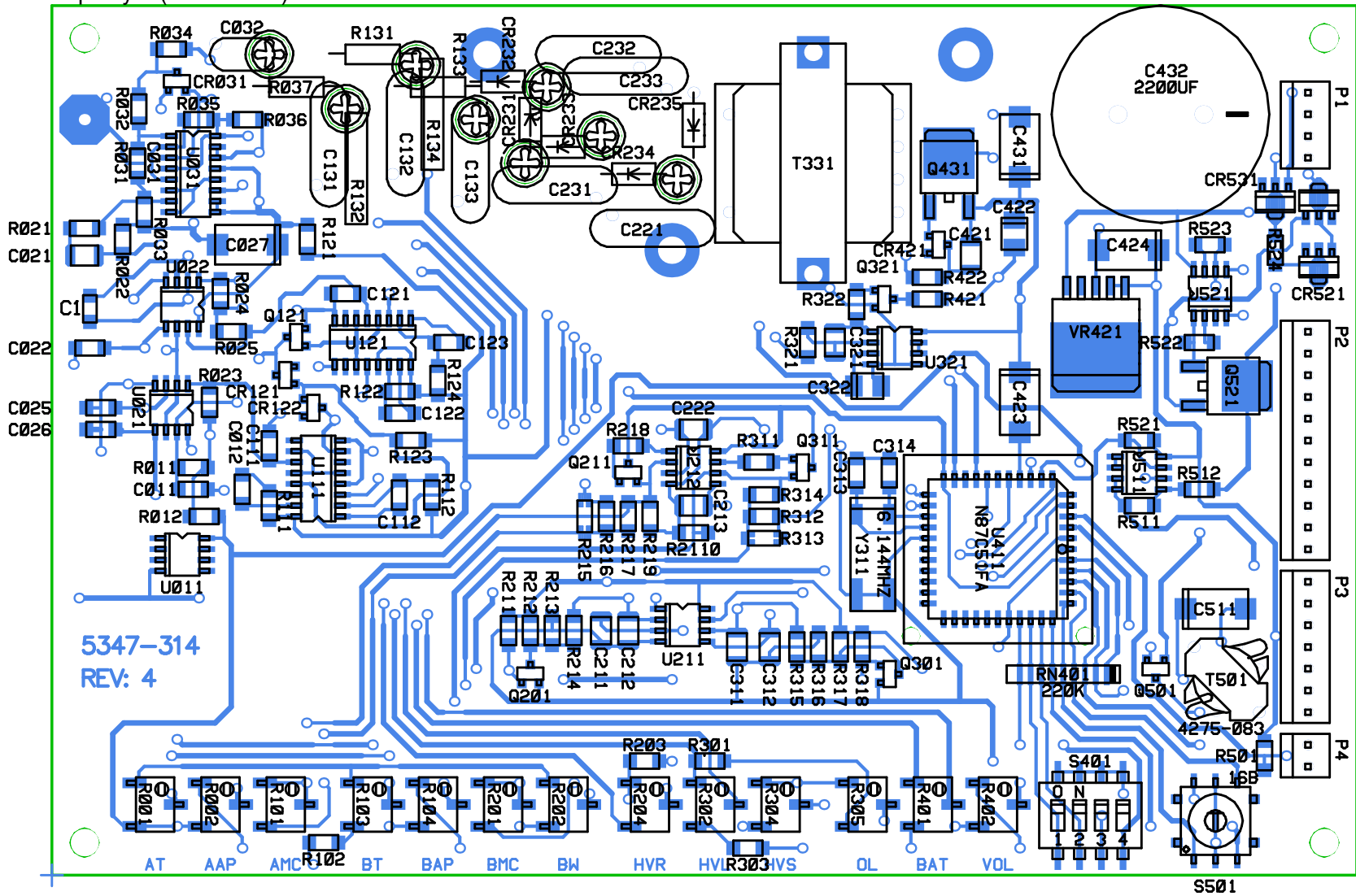
| | | | |
|--|------------|-------------------------|---------|
| LUDLUM | | PO Box 810 | |
| MEASUREMENTS, INC. | | 501 Oak Street | |
| | | Sweetwater, Texas 79556 | |
| | | U.S.A. 1-800-622-0828 | |
| Drawn: PAB | 2-17-17 | Title: Main Board | |
| Design: RSS | 11-14-95 | Model: 177-84 | |
| | | Board#: 5347-314 | |
| Approve: <i>[Signature]</i> | 9/16/2023 | Sheet: 2 of 3 | Series |
| Print Date: 9/6/2023 | 9:02:31 AM | Rev: 4 | Sheet |
| W:\Projects\LMHM 177-84\5347-314\Rev\1347314R4P2 Sch.Doc | | | 347 600 |




9-6-23

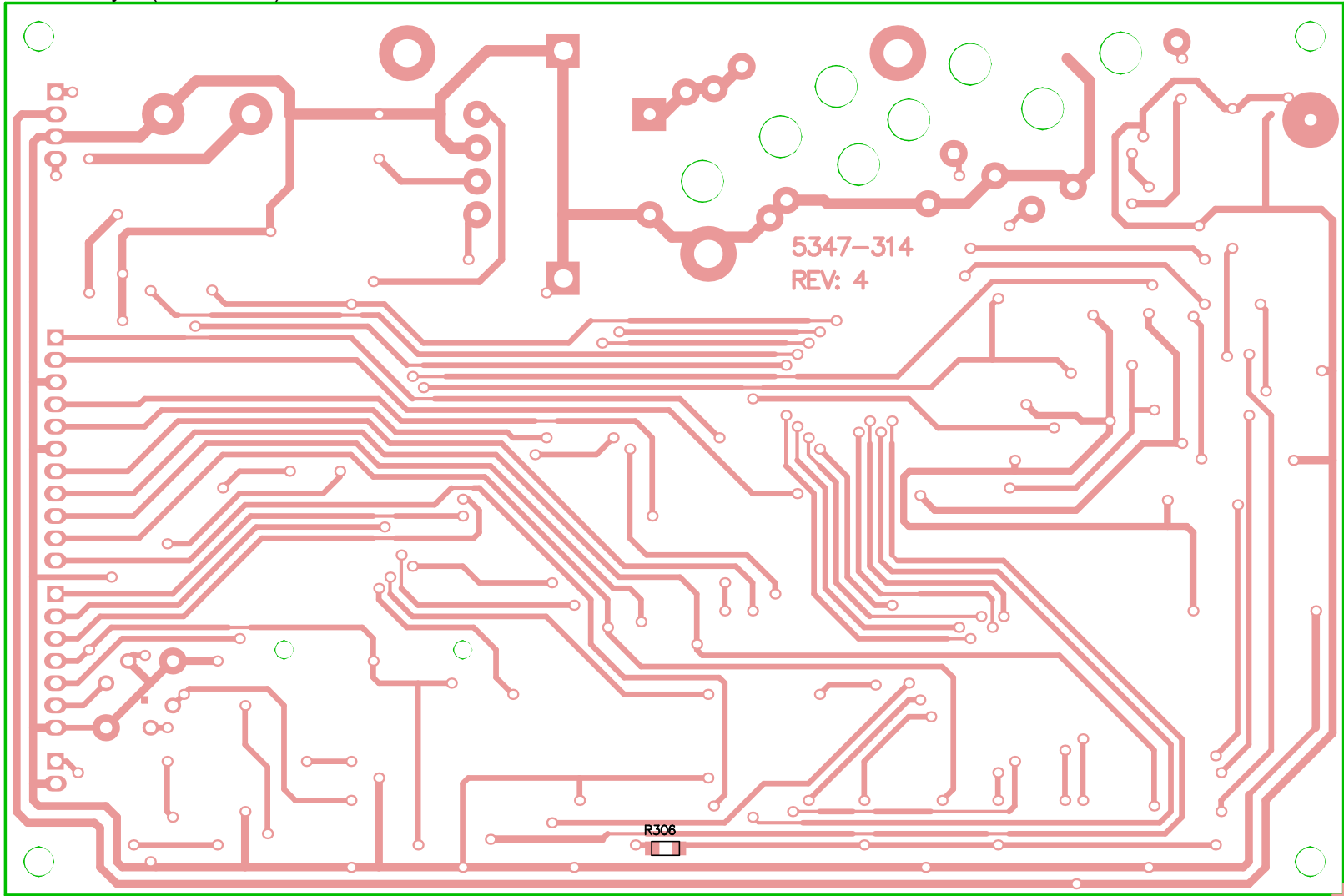
| | | | |
|---|--------|--|------------------------------------|
| LUDLUM MEASUREMENTS, INC. | | PG Box 810 401 Oak Street Sweetwater, Texas 79566 U.S.A. 1-800-622-0828 | |
| | | Drawn: PAB 2-17-17 Title: Main Board | Design: RSS 11-14-95 Model: 177-84 |
| Approves: [Signature] 7/27/95 | | Board#: 5347-314 | |
| Print Date: 8/6/2023 8:02:31 AM | Rev: 4 | Sheet 3 of 3 | Series Sheet |
| WWW.ProjectLUDLUM 177-845347-314 Rev: 4/30/23 16x4P3 5x6Doc | | 347 | 600 |

Top Layer (Scale 1.4:1)



| | | | | |
|--|-----------------|--------|---------------|-------|
|  LUDLUM MEASUREMENTS | | | | |
| Part: 5347-314 | | | Model: 177-84 | |
| Desc: Main Board | | | | |
| Design: RSS | Date: 11/14/95 | Rev: | 4 | |
| Drawn: PAB | Date: 1/21/2025 | SHEET | SERIES | SHEET |
| Apr: JMC | Date: 1/21/2025 | 1 of 4 | 347 | 243A |
| W:\Projects\LMM\177-84\5347-314\Rev4 | | | | |

Bottom Layer (Scale 1.4:1)



5347-314
REV: 4

R306



LUDLUM MEASUREMENTS

Part: 5347-314

Model: 177-84

Desc: Main Board

Design: RSS

Date: 11/14/95

Rev: 4

Drawn: PAB

Date: 1/21/2025

SHEET

SERIES

SHEET

Apr:

Date:

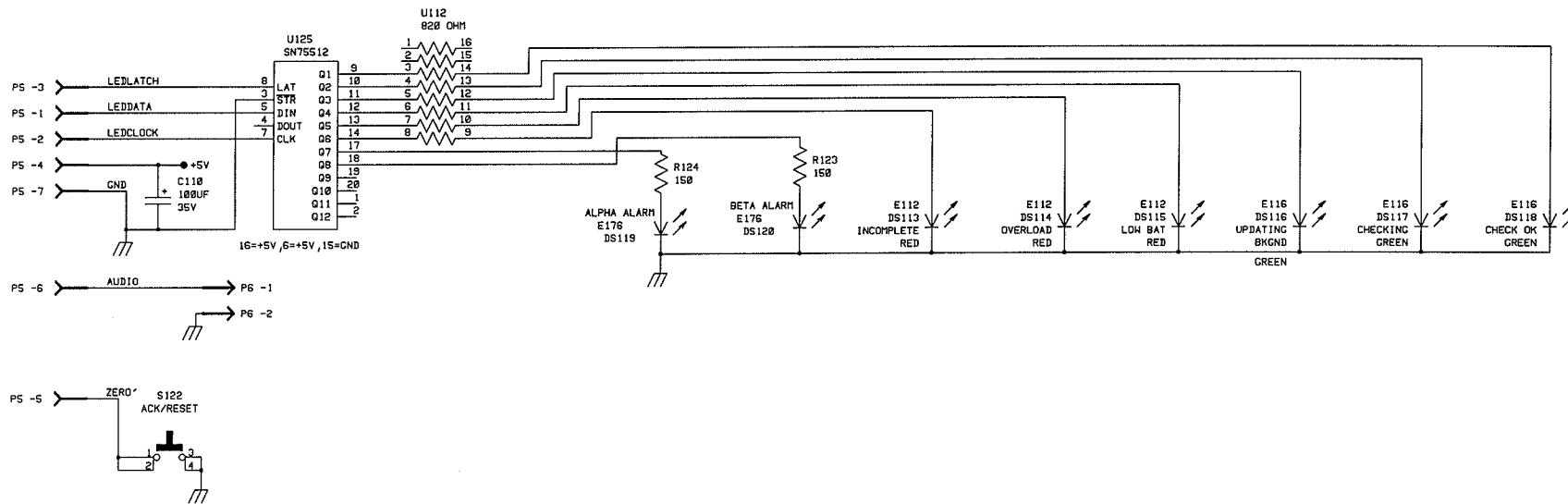
2 of 4

347

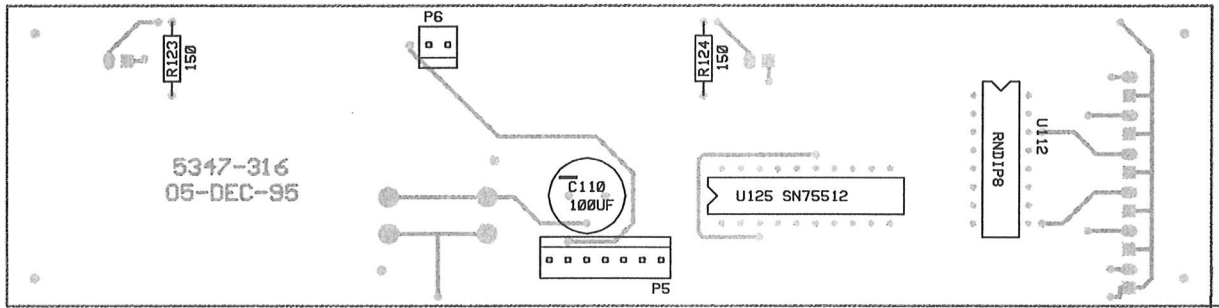
243A

W:\Projects\LM\177-84\5347-314\Rev4

| REVISIONS | | | | | | |
|-----------|-----------|------|-----|-------------|------|----------|
| EFF | AUTHORITY | ZONE | LTR | DESCRIPTION | DATE | APPROVED |
| | | | | | | |

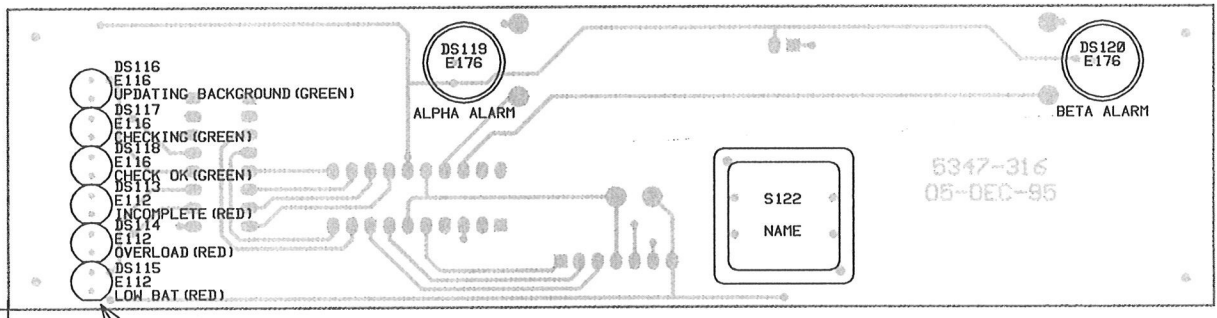


| | | | | | |
|-------------------|-----------|--------------------------|--------------|------------|--------------|
| UPDATED - | | LUDLUM MEASUREMENTS INC. | | | |
| DR RSS | 11-14-95 | TITLE: FP BOARD | | | |
| CHK R.C | 01/30/96 | | | | |
| DSGN RSS | 11-14-95 | BOARD# 5347-316 | | | |
| APPD JEW | 1/31/96 | SIZE D | MODEL 177-B4 | SERIES 347 | SHEET 244 |
| NEXT HIGHER ASSY. | | | | | |
| 10:53:03 | 29-Jan-96 | SB947316 | | | SHEET 1 OF 1 |



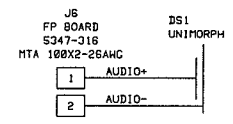
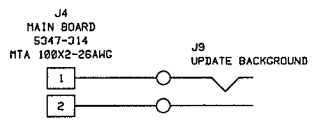
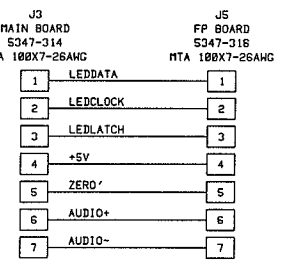
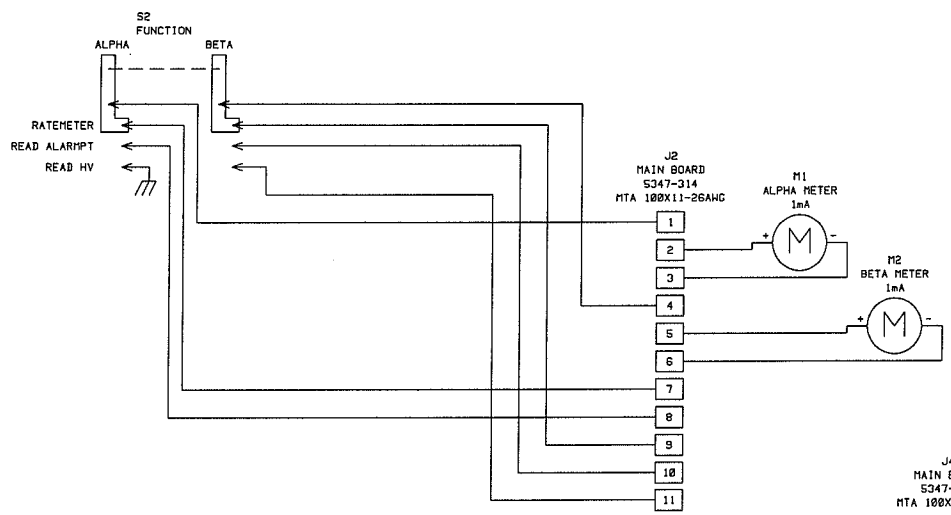
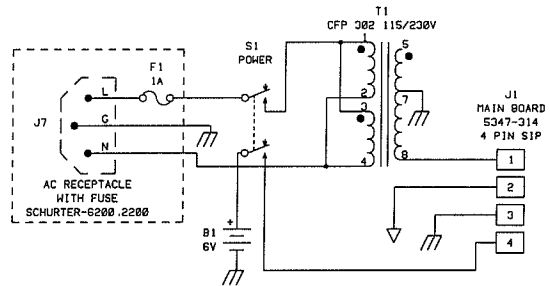
5347-316
05-DEC-95

| | | | |
|--|-----------------|---|--------------|
| | | PO Box 810 501 Oak Street Sweetwater, TX 79556 U.S.A. 1-800-622-0828 | |
| Title: Front Panel Board | | | |
| Drawn: CKB | 12/05/95 | Model: 177-84 | |
| Design: RSS | 11/14/95 | Board#: 5347-316 | |
| Approve: <i>RSS</i> | <i>12/22/95</i> | Rev: 1 | |
| PCBA Drawing | | SCALE: 0.99 | Series Sheet |
| Print Date: 6/22/2015 | 2:43:49 PM | Bottom Overlay | 347 258A |
| W:\Projects\LLMM 177-84\5347-316\Rev1\347316R1_Assy_PcbDoc | | | |



Place 5ea. LED Spacers (18-9096)
on each leg of LEDs. (60 Total)

| | | | |
|---|--------------------|---|--------------|
| | | PO Box 810 501 Oak Street Sweetwater, TX 79556 U.S.A. 1-800-622-0828 | |
| Title: Front Panel Board | | | |
| Drawn: CKB | 12/05/95 | Model: 177-84 | |
| Design: RSS | 11/14/95 | Board#: 5347-316 | |
| Approve: <i>[Signature]</i> | <i>[Signature]</i> | Rev: 1 | |
| PCBA Drawing | | SCALE: 0.99 | Series Sheet |
| Print Date: 6/22/2015 2:43:47 PM | | Top Overlay | 347 258A |
| W:\Projects\MMM 177-84\5347-316\Rev1\347316R1_Assy.PcbDoc | | | |



| | | | | | |
|-------------------|-----------|--------------------------|--------------|--------|-------|
| UPDATED - | / / | LUDLUM MEASUREMENTS INC. | | | |
| DR CKD | 12/88/95 | TITLE: WIRING DIAGRAM | | | |
| CHK | RDS | | | | |
| DSGN | RSS | BOARD# 347-315 | | | |
| APPD | J6W | SIZE | MODEL | SERIES | SHEET |
| NEXT HIGHER ASSY. | 1.01/96 | D | 177-84 | 347 | 243 |
| 10:51:50 | 29-Jan-98 | W347315 | SHEET 1 OF 1 | | |