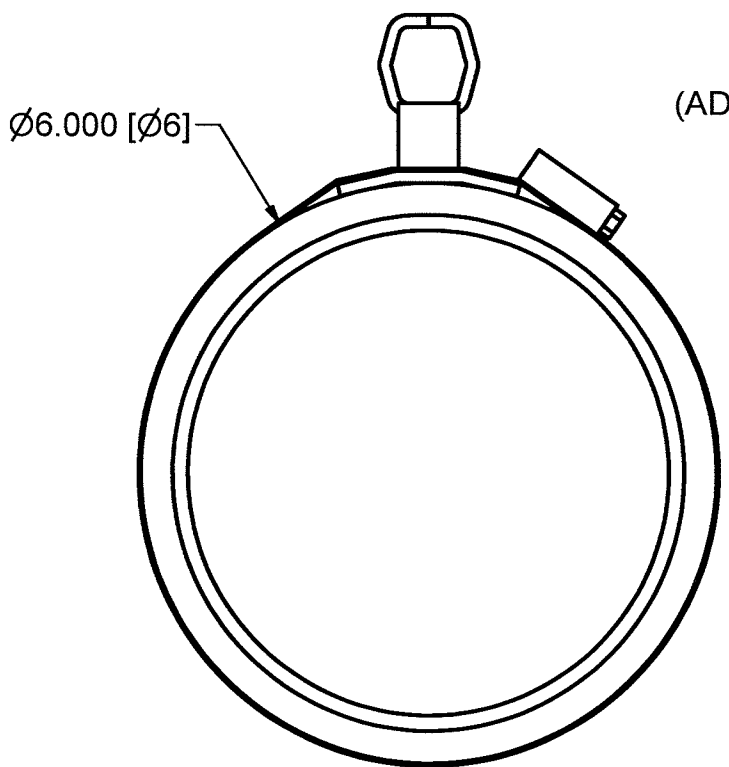
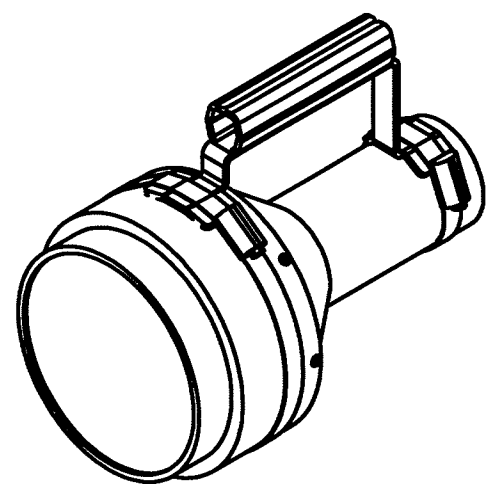
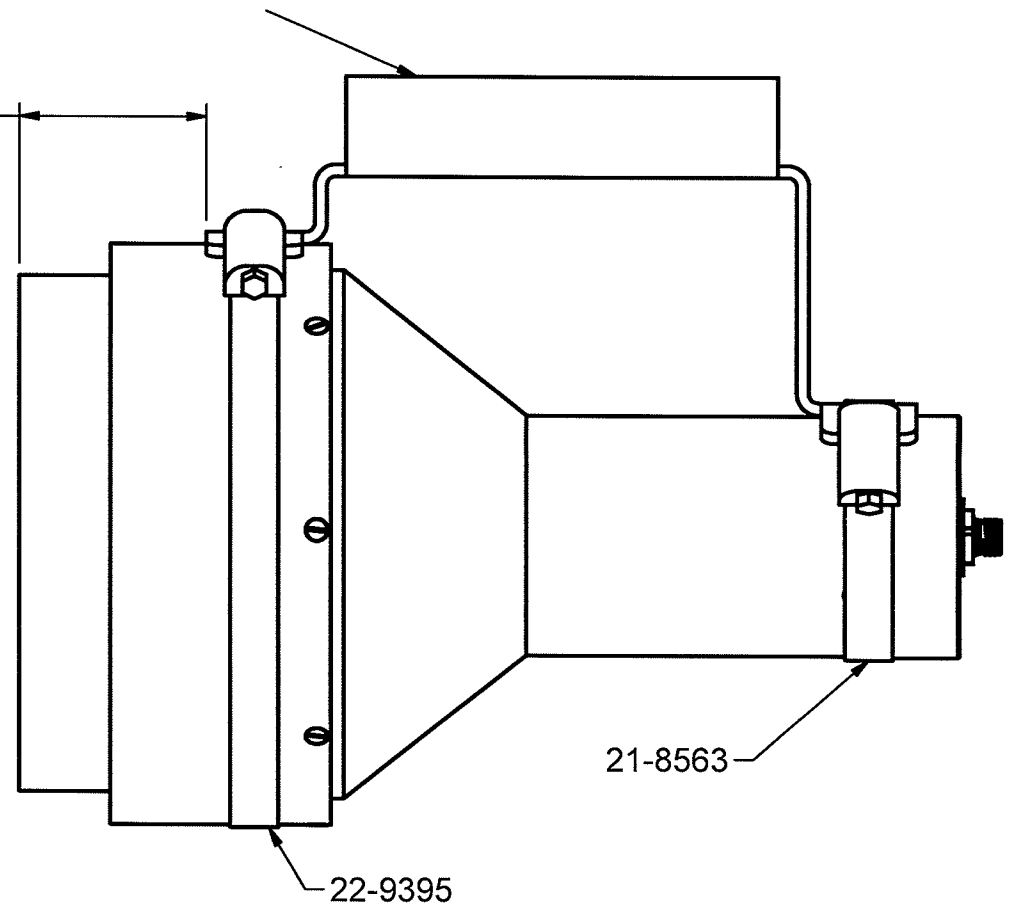


REVISION HISTORY			
REV	DESCRIPTION	DATE	BY
1	VALID	5-30-17	JGW

7574-098



1.957 [1¹⁵/₁₆]
(ADJUSTABLE)



DWN	DATE	CHK	DATE	APP	DATE
JWI	8-7-17			JGW	8-9-17
DWG NUM: 4574-097				SCALE: 1/2	
TITLE M 44-213 HOR HANDLE ASSY					
LUDLUM MEASUREMENTS, INC. 501 OAK STREET SWEETWATER, TEXAS 79556			SERIES	SHEET	
			574	97	